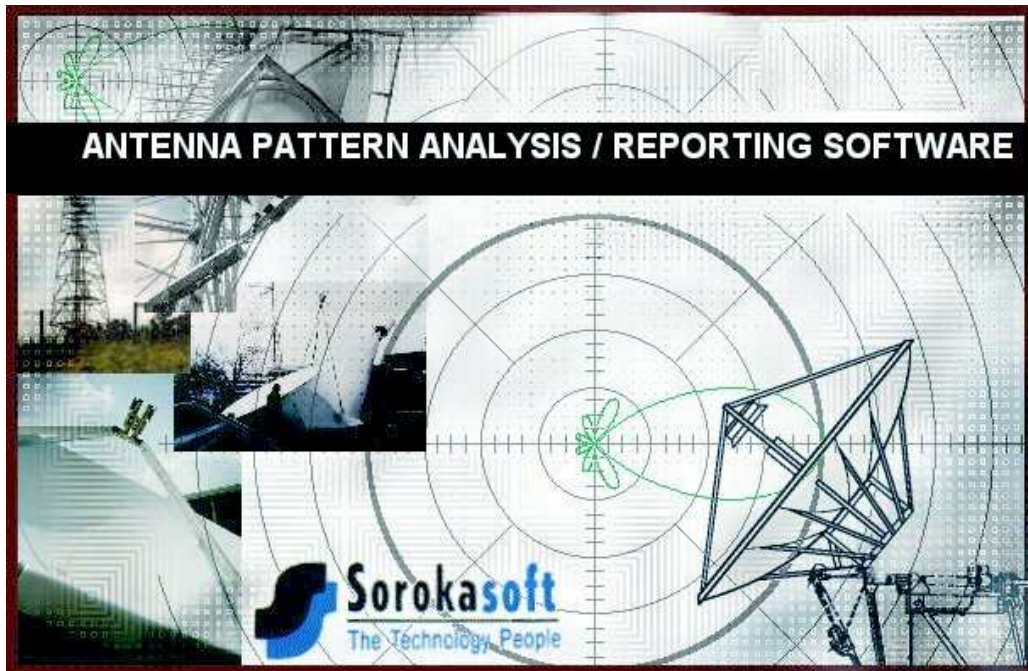


Antenna Measurement & Analysis System



Sorokasoft India Pvt. Ltd.

Plot No-27, 2nd Floor, Model Colony,
Sundernagar (Near ESI Hospital), Hyderabad
Andhrapradesh, India- 500 038.
Phone: +91(40)23812838 Fax +91(40)23812897.

Email: info@sorokasoft.com web: <http://www.sorokasoft.com/>

System requirements

Measurement System

1. Network Analyzer/ Spectrum Analyzer/ Microwave receiver with GPIB/ Serial Interface
2. Position controller with Serial/ DIO/ GPIB Interface

Computer System

1. Standard Pentium Computer system with Microsoft Windows 9x/NT 4.0 /Win2000/WinXP operating system
2. GPIB/ DIO Interface

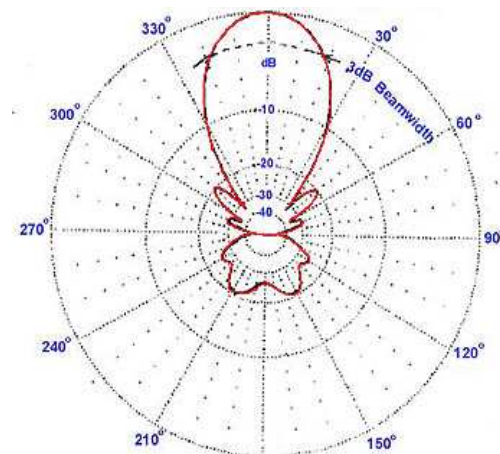
Software features

General

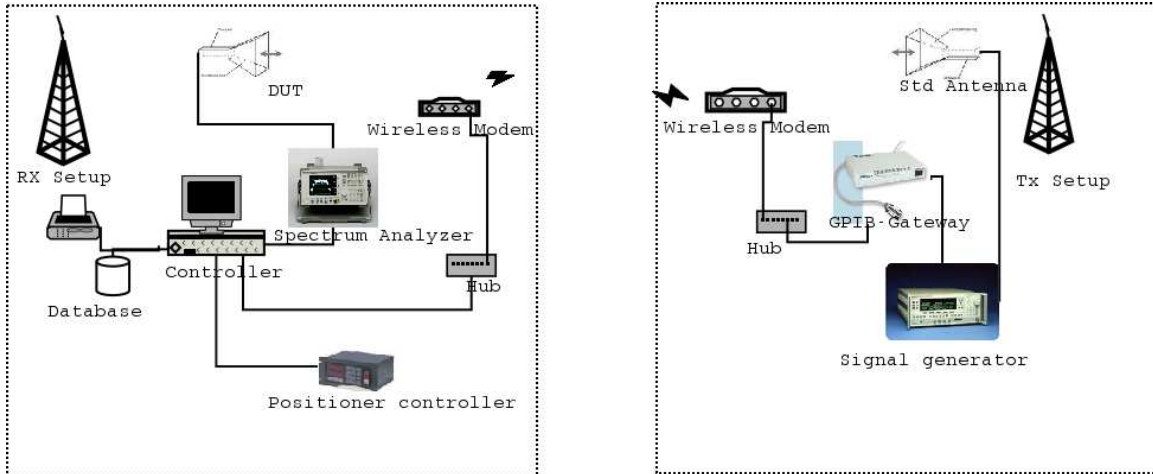
1. User-friendly GUI for data acquisition/ analysis/ report generation
2. Data Export to EXCEL
3. Portable document (Adobe acrobat PDF) format reports

Analysis Features

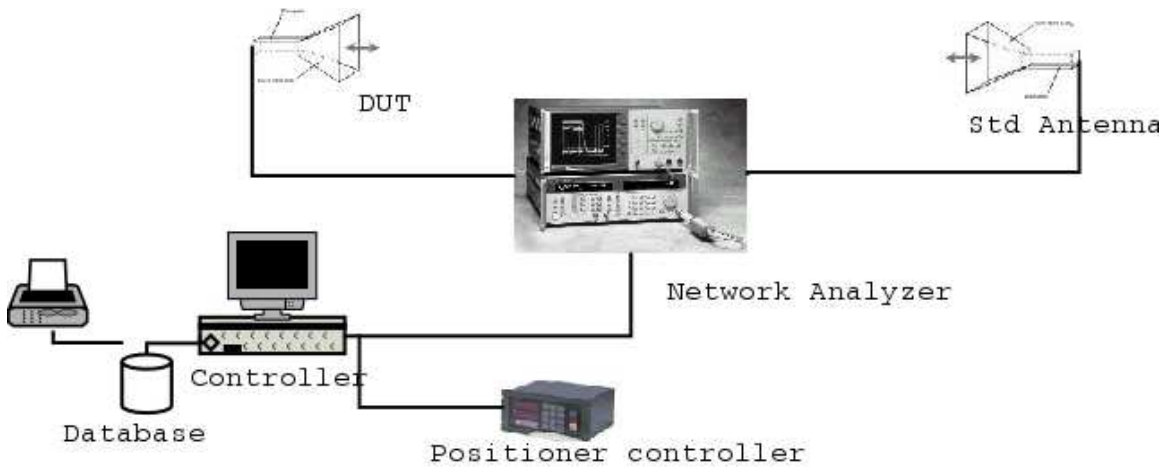
1. Rectangular/ polar pattern display
2. Automatic Beam width, Gain, VSWR/ return loss, FBR computation etc.
3. Pattern matching and overlay



Typical Antenna Measurement Setup



Antenna Measurement setup (out door range)



Antenna Measurement setup